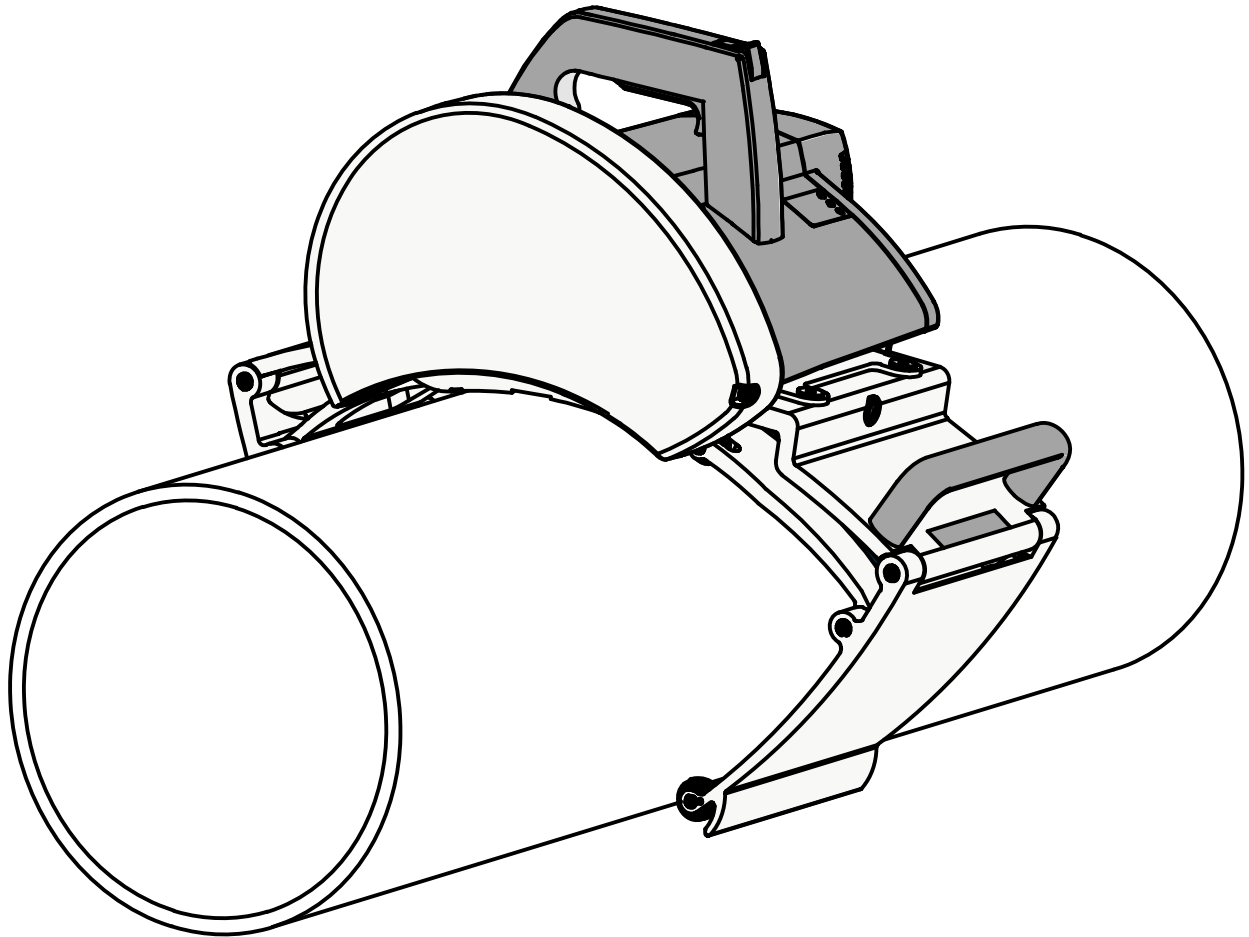


PipeCut 280/360/460 Pro Series



Contents

Information

Technical data	4
Package contents	5

Safety

Safety instructions	6
---------------------	---

Operation

Functional description	8
Product features	8
Before operating the tool	9
Connection to mains power supply	9
Setting the pipe on supports	9
Attaching the pipe saw to the pipe	9
Piercing the pipe wall	10
Cutting around the pipe	10
Overload protection and RPM adjustment	11
Explanation if indicator lights	11
Improving possible misalignment of the cut	11
Cutting result adjustment on Exact PipeCut 280 / 360 / 460 Pro Series	12
Installing and changing the blade	13
Maintenance and servicing instructions	13
Environment / disposal	14
Guarantee / guarantee conditions	14
Tips for using Exact PipeCut saws	14
Extra equipment	15
Theoretical cutting depths	16

Declaration of Conformity

We declare under our sole responsibility that the pipe cutting machines Exact PipeCut 280 Pro Series / 360 Pro Series / 460 Pro Series Described under "Technical Data" are in conformity with the following standards or standardization documents:

EN 62841-1:2015/A11:2022, EN 62841-2-5:2014
 EN 55014-1:2017/A11:2020, EN 55014-2:1997/A1:2001/A2:2008
 EN 61000-3-2:2019/A1:2021, EN 61000-3-3:2013/A1:2019/A2:2021, EN ISO 12100:2010
 according to the technical provisions of the directives 2006/42/EC, 2014/30/EU and 2014/35/EU

For more information, please contact Exact Tools at the following address:

The technical file is available at the address underneath:

The person authorized to compile the technical file: Marko Törrönen, (marko.torronen@exacttools.com)


Helsinki, 20. September 2023





Marko Törrönen
 Managing Director
 Exact Tools Oy
 Särkiniementie 5 B 64
 FI-00210 Helsinki, Finland


Definitions: Safety instructions

The definitions below describe the level of severity for each signal word. Please read the manual and pay attention to these symbols

 **DANGER:** Indicates an imminently hazardous situation which, if not avoided, will result in serious injury or in extreme cases a fatality


 **WARNING:** Indicates a potentially hazardous situation which, if not avoided, could result in serious injury or in extreme cases a fatality

 **CAUTION:** Indicates a potentially hazardous situation which, if not avoided, may result in minor or moderate injury.


 **NOTICE:** Indicates a practice not related to personal injury which, if not avoided, may result in property damage.


 **Denotes risk of electric shock.**

Symbols found on the machine.

 **Use ear protection.**

 **Use gloves.**

 **Read instructions before use.**

 **Laser radiation:** Do not look directly into beam.



Saw blade: Saw blade behind this cover, do not insert fingers or other body parts inside this cover.

Operating, safety and service instructions

Read these operating, safety and service instructions carefully before operating the pipe saw.

Store these instructions in a place where all pipe saw operators have access. In addition to these instructions official work, health and safety rules must be followed. Exact PipeCut is for professional use only.

Please notice the article number on the type plate of your machine. The trade names of the individual machines may vary.

Only for power tools without reduced starting current: Starting cycles generate brief voltage drops. Interference with other equipment/machines may occur in case of unfavorable mains system conditions. Malfunctions are not to be expected for system impedances below 0.36 ohm.

Noise/vibration Information


The vibration emission level given in this information sheet has been measured in accordance with a standardized test given in EN62481-2-5:2014

Use ear protection!

Vibration level values (sum of vectors of three directions) are defined in accordance with standard EN62841-2-5:2014:

Vibration rate $a_{h,M}$ "cutting metal" = 3.2 m/s²,
Uncertainty K = 0,3 m/s².

The vibration emission level given in this information sheet has been measured in accordance with a standardized test given in EN62841-2-5:2014 and may be used to compare one tool with another. It may be used for a preliminary assessment of exposure.

 **WARNING:** The declared vibration emission level represents the level during main applications of the tool.

However, if the tool is used for different applications, with different accessories or poorly maintained, the vibration emission may differ. This may significantly increase the exposure level over the total working period.

An estimation of the level of exposure to vibration should also take into account the times when the tool is switched off or when it is running but not actually doing the job. This may significantly reduce the exposure level over the total working period.

Identify additional safety measures to protect the operator from the effects of vibration such as: maintain the tool and the accessories, keep the hands warm, organize work patterns.

 **WARNING:**

If Pipecut Exact PipeCut 280 Pro Series/ 360 Pro Series/ 460Pro Series tool is used with generator or extension cords, their minimum requirements are as follows:

Generator: minimum power of 3500 watts, if other electrical equipment is not used at the same time.

Extension cords 230 V: The maximum length - 25 meters. Cable cross section - not less than 2,5mm².

Extension cords 120 V: The maximum length – 82 Feet Extra Heavy Duty

Exact PipeCut 280 Pro Series / 360 Pro Series / 460 Pro Series pipe saws models

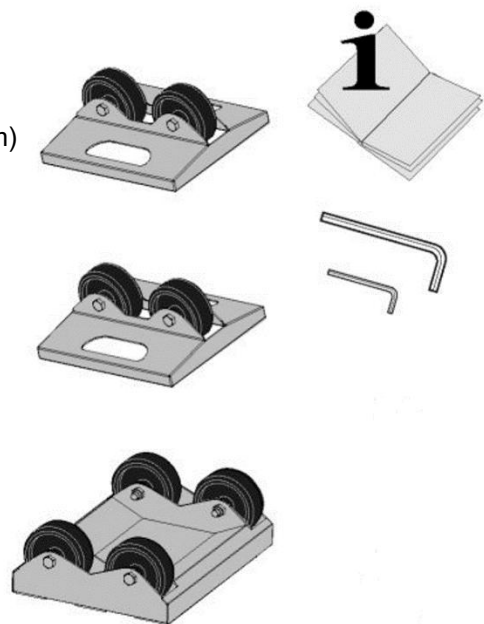
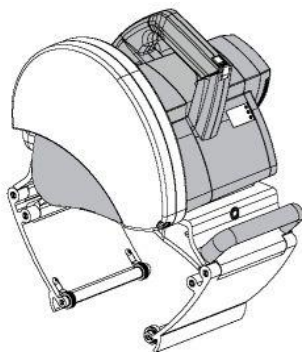
Voltage	220 V– 240 V / 50–60 Hz or 100 V–120 V 50–60Hz
Power	2500 W– 220 V– 240 V or 15 A-100 V– 120 V
No-load speed	I (low) = 1900/min, II (high) = 2885 /min
Blade diameter	140 mm (5.6"), 165 mm (6.50"), 180 mm (7.2"), 190 mm (7.6")
Mounting bore	62 mm (2.44")
Weight	280 Pro Series 15,5 kg (34 lbs), 360 Pro Series 17,5 kg (38.6 lbs), 460 Pro Series 18,5 kg (40.7 lbs)
Range of use Ø 280 Pro Series	40 mm–280 mm (1.5"–11")
Range of use Ø 360 Pro Series	75 mm–360 mm (3"–14")
Range of use Ø 460 Pro Series	100 mm–460 mm (4"–18")
Max. pipe wall, plastics and other soft materials	45 mm (1.8") 280Pro Series 50 mm (2.0") 360Pro Series, 460 Pro Series
Max. Pipe wall 230V, steel, iron	20 mm / 0.78"
Max. Pipe wall 120V, steel, iron	12 mm / 0.5"
Protection class	IP / II
Spindle lock	Yes
Speed preselection	Yes
Constant electronic control	Yes
Overload Protection	Yes
Reduced starting current	Yes
Vibration, A _{h,M} "cutting metal"	3,2 m/s ²
Vibration uncertainty, K	0,3 m/s ²
LpA (sound pressure)	101,0 dB(A)
KpA (sound pressure uncertainty)	3 dB(A)
LWA (acoustic power)	112,0 dB(A)
KWA (acoustic power uncertainty)	3 dB(A)
Recommended generator capacity	4,9kVA for 230V, 3kVA for 100 V-120V

The values given are valid for nominal voltages [U] of 230/240 V. For lower voltage and models for specific countries, these values can vary.

Exact PipeCut 280 Pro Series / 360 Pro Series / 460 Pro Series pipe cutting systems

Package contents, please check that the package contains the following items:

1. Exact PipeCut System Shoulder Bag
2. Exact PipeCut 280 Pro Series / 360 Pro Series / 460 Pro Series pipe saw
3. Pipe Cutting supports 1 + 2 pcs. (280 Pro Series 4pcs aluminum)
4. Operating instructions
5. Allen key 2 pcs (5 mm and 2 mm)



General power tool safety warnings



WARNING: Read all safety warnings, illustrations and specifications provided with this power tool. Failure to follow all instructions listed below may result in electric shock, fire and/or serious injury

Save all warnings and instructions for future reference.

The term "power tool" in the warnings refers to your mains operated (corded) power tool or battery-operated (cordless) power tool.

1 Work area safety

- a) **Keep work area clean and well lit.** Cluttered or dark areas invite accidents.
- b) **Do not operate power tools in explosive atmospheres, such as in the presence of flammable liquids, gases or dust.** Power tools create sparks which may ignite the dust or fumes.
- c) **Keep children and bystanders away while operating a power tool.** Distractions can cause you to lose control.


2 Electrical safety

- a) **Power tool plugs must match the outlet. Never modify the plug in any way. Do not use any adapter plugs with earthed (grounded) power tools.** Unmodified plugs and matching outlets will reduce risk of electric shock.
- b) **Avoid body contact with earthed or grounded surfaces, such as pipes, radiators, ranges and refrigerators.** There is an increased risk of electric shock if your body is earthed or grounded.
- c) **Do not expose power tools to rain or wet conditions.** Water entering a power tool will increase the risk of electric shock
- d) **Do not abuse the cord. Never use the cord for carrying, pulling or unplugging the power tool. Keep cord away from heat, oil, sharp edges or moving parts.** Damaged or entangled cords increase the risk of electric shock
- e) **Damaged cable should be changed in the authorized service center.**
- f) **When operating a power tool outdoors, use an extension cord suitable for outdoor use.** Use of a cord suitable for outdoor use reduces the risk of electric shock.
- g) **If operating a power tool in a damp location is unavoidable, use a residual current device (RCD) protected supply.** Use of an RCD reduces the risk of electric shock
- h) **Hold electric tools by isolated handles, because during the operation it can connect to flush conductor or its own cord.** If tool connects to voltage-carrying cables, voltage can pass to metal parts and it increases the risk of electric shock.

3 Personal safety

- a) **Stay alert, watch what you are doing and use common sense when operating a power tool. Do not use a power tool while you are tired or under the influence of drugs, alcohol or medication.** A moment of inattention while operating power tools may result in serious personal injury.
- b) **Use personal protective equipment. Always wear eye protection.** Protective equipment such as dust mask, non-skid safety shoes, hard hat, or hearing protection used for appropriate conditions will reduce personal injuries.
- c) **Prevent unintentional starting. Ensure the switch is in the off-position before connecting to power source and/or battery pack, picking up or carrying the tool.** Carrying power tools with your finger on the switch or energizing power tools that have the switch on invites accidents.
- d) **Never operate the tool, if blade covers are not in place.**
- e) **Remove any adjusting key or wrench before turning the power tool on.** A wrench or a key left attached to a rotating part of the power tool may result in personal injury.
- f) **Do not overreach. Keep proper footing and balance at all times.** This enables better control of the power tool in unexpected situations.
- g) **Dress properly. Do not wear loose clothing or jewelry. Keep your hair and clothing away from moving parts.** Loose clothes, jewelry or long hair can be caught in moving parts.
- h) **Do not put your hands inside the pipe during the operation.** Take care, that no one will put anything inside the pipe during the operation.
- i) **Do not let familiarity gained from frequent use of tools allow you to become complacent and ignore tool safety principles.** A careless action can cause severe injury within a fraction of a second.
- j) **Support the pipe to cut securely.** Pipe supports are more reliable for holding the pipe than bare hands.
- k) **If devices are provided for the connection of dust extraction and collection facilities, ensure these are connected and properly used.** Use of dust collection can reduce dust-related hazards.

4 Cutting procedures

- a)  **DANGER: Keep hands away from cutting area and the blade. Keep your second hand on auxiliary handle, or motor housing.** If both hands are holding the saw, they cannot be cut by the blade.
- b) **Do not reach underneath the workpiece.** The guard cannot protect you from the blade below the workpiece.
- c) **Adjust the cutting depth to the thickness of the workpiece.** Less than a full tooth of the blade teeth should be visible below the workpiece.
- d) **Never hold the workpiece in your hands or across your leg while cutting. Secure the workpiece to a stable platform.** It is important to support the work properly to minimize body exposure, blade binding, or loss of control.
- e) **Hold the power tool by insulated gripping surfaces, when performing an operation where the cutting tool may contact hidden wiring or its own cord.** Contact with a "live" wire will also make exposed metal parts of the power tool "live" and could give the operator an electric shock.
- f) **When ripping, always use a rip fence or straight edge guide.** This improves the accuracy of cut and reduces the chance of blade binding.
- g) **Always use blades with correct size and shape (diamond versus round) of arbour holes.** Blades that do not match the mounting hardware of the saw will run off-centre, causing loss of control.
- h) **Never use damaged or incorrect blade washers or bolt.** The blade washers and bolt were specially designed for your saw, for optimum performance and safety of operation.

5 Lower guard function

- a) **Check the lower guard for proper closing before each use. Do not operate the saw if the lower guard does not move freely and close instantly. Never clamp or tie the lower guard into the open position.** If the saw is accidentally dropped, the lower guard may be bent. Raise the lower guard with the retracting handle and make sure it moves freely and does not touch the blade or any other part, in all angles and depths of cut.
- b) **Check the operation of the lower guard spring. If the guard and the spring are not operating properly, they must be serviced before use.** Lower guard may operate sluggishly due to damaged parts, gummy deposits, or a build-up of debris.
- c) **The lower guard may be retracted manually only for special cuts such as "plunge cuts" and "compound cuts". Raise the lower guard by the retracting handle and as soon as the blade enters the material, the lower guard must be released.** For all other sawing, the lower guard should operate automatically.

d) **Always observe that the lower guard is covering the blade before placing the saw down on bench or floor.** An unprotected, coasting blade will cause the saw to walk backwards, cutting whatever is in its path. Be aware of the time it takes for the blade to stop after switch is released.

6 Power tool use and care

- a) **Do not force the power tool. Use the correct power tool for your application.** The correct power tool will do the job better and safer at the rate for which it was designed.
- b) **Do not use the power tool if the switch does not turn it on and off.** Any power tool that cannot be controlled with the switch is dangerous and must be repaired.
- c) **Disconnect the plug from the power source and/or remove the battery pack, if detachable, from the power tool before making any adjustments, changing accessories, or storing power tools.** Such preventive safety measures reduce the risk of starting the power tool accidentally.
- d) **Store idle power tools out of the reach of children and do not allow persons unfamiliar with the power tool or these instructions to operate the power tool.** Power tools are dangerous in the hands of untrained users.
- e) **Maintain power tools and accessories. Check for misalignment or binding of moving parts, breakage of parts and any other condition that may affect the power tool's operation. If damaged, have the power tool repaired before use.** Many accidents are caused by poorly maintained power tools.
- f) **Keep cutting tools sharp and clean.** Properly maintained cutting tools with sharp cutting edges are less likely to bind and are easier to control.
- g) **Use the power tool, accessories and tool bits etc. in accordance with these instructions, taking into account the working conditions and the work to be performed.** Use of the power tool for operations different from those intended could result in a hazardous situation.
- h) **Keep handles and grasping surfaces dry, clean and free from oil and grease.** Slippery handles and grasping surfaces do not allow for safe handling and control of the tool in unexpected situations.
- i) **Do not use damaged or faulty blades or blade flanges.** Blade flanges and nuts are custom made for this tool to ensure optimum operating performance and safety.

7 Service

Have your power tool serviced by a qualified repair center using only identical replacement parts. This will ensure that the safety of the power tool is maintained.

Further safety instructions

The pipe saw must never be used in the following cases, if:

- There is water or another liquid, explosive gases or poisonous chemicals inside the pipe to be cut.
- The power switch is faulty.
- The power cable is faulty.
- The blade is bent.
- The blade is dull or in poor condition.
- The plastic components are cracked or have parts missing.
- The gripper unit is not properly tightened around the pipe or if it is warped.
- The blade guard cover or moving blade guard has been damaged or removed from the machine.
- The locking mechanisms do not work properly (UNLOCK - SWITCH).
- The pipe saw has become wet.

When you use the saw, the following factors shall be considered:

- Fasten the pipes to be cut properly so that the blade is not clamped between the ends of the pipes.
- Make sure that the pipe to be cut is empty.
- Make sure that the pipe is installed correctly.
- Make sure that the diameter and thickness of the blade is suitable for the saw and that the blade is suitable for rotational speed selected
- Never use axial friction force to stop the blade, let it stop freely.
- Check the parts of the blade protection.
- Never apply excessive force when using the pipecut.
- Never use the pipecut to lift the pipe when fixed on the pipe.
- Avoid excessive load on the electric motor.
- Always follow safety and operation manual and applicable regulations.

Description of the work

Read all manuals and warnings carefully. If warnings and instructions are not complied with, the risk of electric shock, fire and/or severe damage to life may occur.

Intended Use

PipeCut 280 Pro Series / 360 Pro Series 460 Pro Series

PipeCut 280 Pro Series / 360 Pro Series / 460 Pro Series pipe saw is intended for use as a pipe fitter's tool at the job site.

PipeCut 280 Pro Series / 360 Pro Series / 460 Pro Series can only be used to cut round pipes, with a diameter of:

280 Pro Series 40 mm–280 mm (1.5"–11")
 360 Pro Series: 75 mm–360 mm (3"–14")
 460 Pro Series 100 mm–460 mm (4"–18")

Maximum wall thicknesses:

Steel 20 mm (0.8"), 230V
 12mm (0,5"), 120V

Plastic 45 mm (1.8"), 280 Pro Series
 50mm (2"), 360 and 460 Pro Series

PipeCut 280 Pro Series / 360 Pro Series / 460 Pro Series pipe saw can be used to cut all normal pipe materials, such as steel, stainless steel, cast/ductile iron, copper, aluminum and plastic.

See the cutting depth table on page 16.

PipeCut 280 Pro Series / 360 Pro Series / 460 Pro Series pipe saw is not intended for use in industrial production.

Use pipe holders to support the pipe being cut

Exact PipeCut 280 Pro Series / 360 Pro Series / 460 Pro Series pipe cutting system operation instructions

Before operation the tool

- Ensure that motor unit is in the upright position.
- Check that the disc is correctly fitted, in good condition and suitable for the material to be cut.
- Ensure the pipe saw guide wheels rotate.
- Ensure the support wheels rotate.
- Check the operation of the lower blade guard.
- Ensure the pipe is empty.

Connection to the mains power supply

Ensure that the mains voltage is the same as indicated on the rating plate (Fig A / 13). Connect the pipe saw to the power outlet only after having checked the above points first.

Setting the pipe on supports

Use the system supports when cutting pipes. This will ensure safe working and optimum results. Work on flat surface. Place the pipe on two supports so that the cutting point is between the supports. Place two more support under both ends of the pipe. Check that all support wheels contact the pipe (adjust if required e.g. with pieces of lumber) (Fig B1). When cutting short and light weight pipes, place the supports so that the cutting point is outside supports (Fig B2). Support the pipe with your left leg, if required. Proper arrangements will prevent the blade from jamming as the pipe is cut through.

Attaching the pipe saw to the pipe

Open the pipe saw's gripper unit enough to suit the diameter of the pipe by rotating the adjustment handle located at the rear of the saw (Fig C / 1). Position the pipe saw on top of the pipe so that the edge of the lower blade guard is at the cutting mark. Fasten the pipe saw to the pipe by turning the gripper adjustment handle until the gripper grips firmly the pipe to be cut (Fig C / 2).

Lock the mechanism by turning the gripper safety (Fig C / 3). Hold the pipe in place and ensure that pipe saw moves freely in the direction the pipe is fed. For sake of safety ensure the pipe saw leads are to the left of the pipe saw. The pipe saw is now ready for cutting.

FIGURE B1

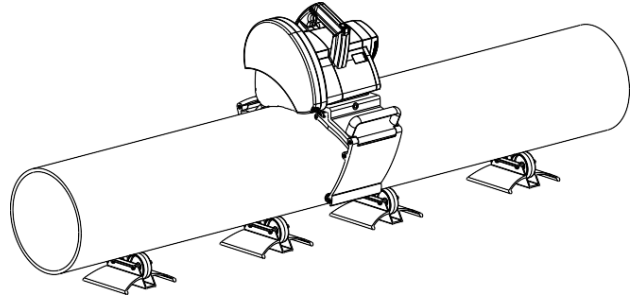


FIGURE B2

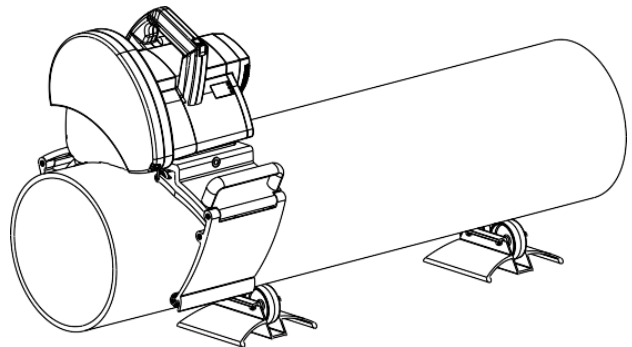
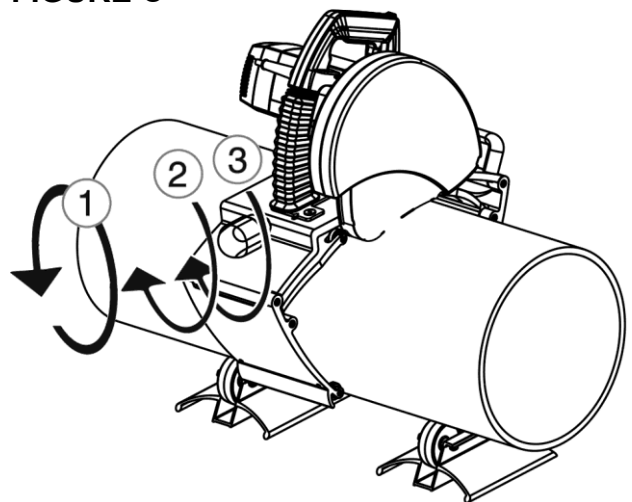


FIGURE C



Piercing the pipe wall

Grip the gripper firmly with your right hand and place your left foot on top of the pipe approximately 50 cm from the pipe saw. Turn the saw until it leans slightly forward (Figure F). When starting the motor, first of all release the power-switch locking lever (Fig D/1) and push the power switch all the way down (Fig D/2).

Before starting to saw, wait until the blade reaches full speed. Pierce the pipe wall by pressing pipe saw operating handle downwards slowly and evenly until the blade has cut through the pipe wall (at this stage the pipe must not rotate) and the motor unit is locked in the sawing position (Fig F / 1).

Look at the UNLOCK SWITCH during the piercing operation. When UNLOCK SWITCH is locked, i.e. the yellow mark disappears (Fig E / 1-2), the pipe saw is locked in the sawing position, and you can safely start sawing around the pipe.

Cutting around the pipe

Start cutting by feeding the pipe saw forward and fix the pipe with your left foot (Fig F / 2). After that release the pipe (remove your left foot from the pipe) and turn the pipe saw backwards, whereby the pipe will also be rotated backwards (Fig G). Start a new feeding movement, and feed continuously forward ca. 1/6 of the pipe's circumference (Fig H). Repeat until the pipe is cut off. Select the feeding speed as per the material and the thickness of the wall. Too high speed can damage the blade, overload the pipe saw and give a poor cutting result.

When the pipe is cut off, push the UNLOCK SWITCH forward until the yellow mark is visible and the locking is released (Fig I / 1). Now raise the motor unit to starting position (Fig I / 2). Release the power switch (Fig I / 3). When the blade has stopped, open the gripper safety mechanism (Fig I / 4) and disengage the pipe saw from the pipe by loosening the gripper adjustment handle (Fig I / 5). Ensure that the moving lower blade-guard is lowered into safety position.

Should there be problems during piercing or cutting, abnormal sounds or vibrations and you have to interrupt cutting before the pipe is cut through, release the motor unit locking by pushing the UNLOCK SWITCH forward until the UNLOCK SWITCH is released and lift the motor unit up. Once the problem is cleared, start sawing again.

Never start the motor, when the motor unit is locked in sawing the position or teeth of the blade contact the pipe to be sawn. Ensure, that the blade/disc is not connected to pipe during the motor operating.

FIGURE D

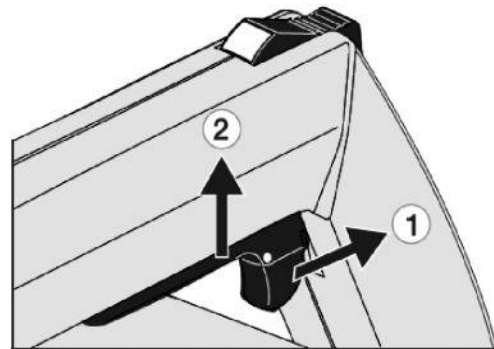


FIGURE E

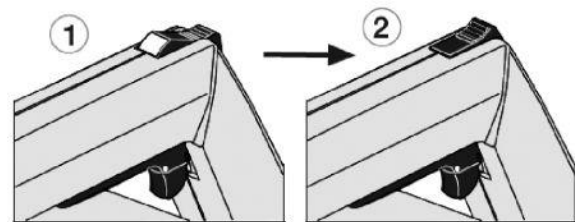


FIGURE F

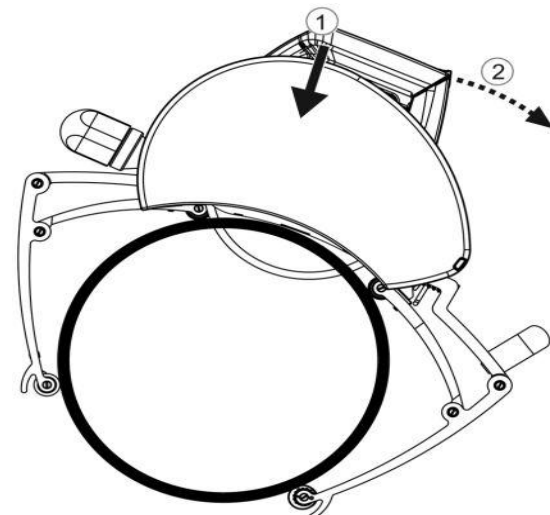
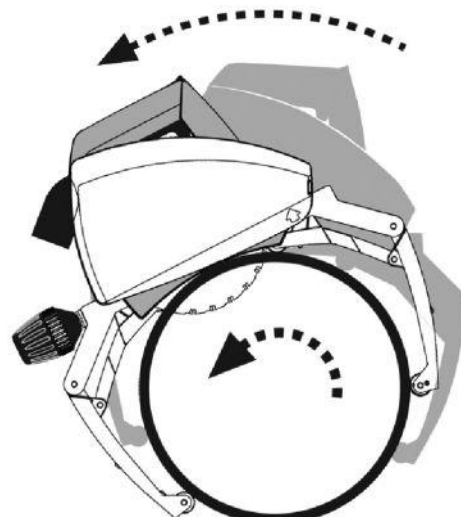


FIGURE G



Overload protector and blade RPM speed control

The saw has a two-speed blade RPM speed control (Fig A / 15). When cutting stainless or acid-proof steel use the lower RPM setting I. When cutting other materials use the faster RPM setting II.

The saw also has an overload protector which displays electric motor loading with three indicator lights (Fig A / 5).

Explanation of indicator lights (FIGURE J)

Normal operation	Green: ON Yellow: OFF Red: OFF
Normal power output	Green: OFF Yellow: OFF Red: OFF
Motor temperature high WARNING Normal power output	Green: OFF Yellow: Blinking Red: OFF
Motor current high WARNING Decreasing power output	Green: OFF Yellow: Blinking Red: OFF
Motor temperature protection active Power output very low, only cooling with free running	Green: OFF Yellow: OFF Red: Blinking
Temperature sensor faulty Power output low to finish the work	Green: OFF Yellow: ON Red: OFF

GREEN If green light is on, the motor temperature and power output are normal.

➔ **You can continue using the tools.**

YELLOW If yellow light begins to flash, the motor is hot and/or overloaded.

➔ **You should slow down the cutting speed** (It is possible, that you are using a worn-out blade)

RED If the red light begins to flash, motor power is automatically reduced to the minimum to protect the motor. Cutting is not possible.

➔ **Press the motor switch and let it run freely (UNDER NO LOAD) until the green light is on.**

ATTENTION! If the yellow light begins to flash continuously, it indicates that the motor control unit has been damaged. You can finish the sawing, but the saw should take out for service. If the motor control unit is not repaired, the motor of the saw will get damaged.

Improving possible misalignment of the cut

The cut is affected by many factors, e.g. the size of the pipe, the material, the wall thickness, the quality of the pipe's surface, the roundness, welded seams, blade condition, feed rate, operator's experience. For this reason, the saw may move to left or right causing unperfect cut (see Fig K).

FIGURE H

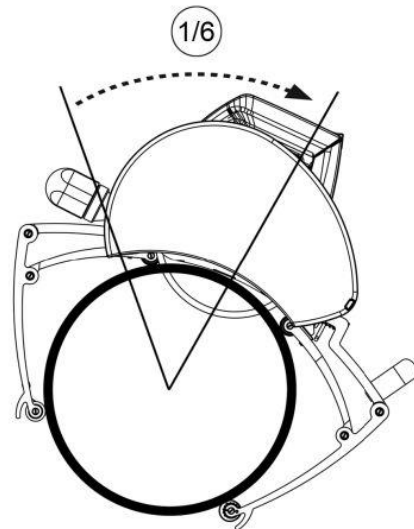


FIGURE I

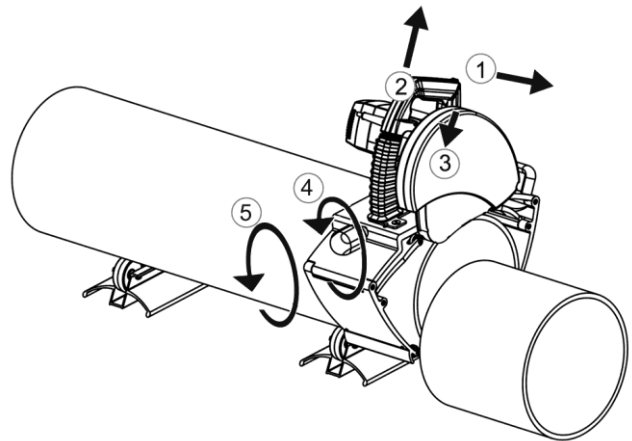
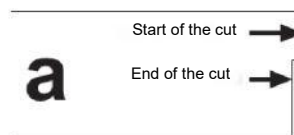


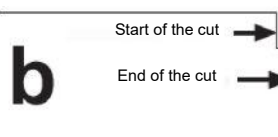
FIGURE J

	GO AHEAD
	WARNING
	RUN THE MOTOR UNTIL GREEN LIGHT IS ON

FIGURE K



Saw has moved from right to left



Saw has moved from left to right

Cutting result adjustment for models 280 Pro Series / 360 Pro Series / 460 Pro Series

Within the gripping devices of these models there are eight control wheels. One of them is the adjustment wheel (FIGURE A / 9). Please note that adjustment by this wheel concerns only the size of one pipe and material and the wheel may need to be adjusted again as the saw blade or disc wears out.

Adjust the wheel by releasing the locking screw (FIGURE L / 1) and turning the central part of the wheel **CLOCKWISE** or **ANTICLOCKWISE** to obtain the desired position (FIGURE L / 2), lock the wheel again (FIGURE L/3).

If the saw is moving from right to left (FIGURE K/a), turn the central part of the adjustment wheel so that "d" is smaller (FIGURE K/a). If the cutting is carried out according to Figure K/b, proceed as shown in Fig. K/b. It is recommended to lubricate the adjusting wheel periodically.

In these models the angle of the entire engine can be adjusted left or right. The laser beam can be used to aid in correct adjustment.

Adjustment stages

1. Mark the reference line precisely on the pipe at an angle of 90 degrees in the longitudinal direction.
2. Place the saw on the pipe so that the red line of the laser is next to the reference line at an angle of 90 degrees. Tighten the griper to the normal tension level. Check if the laser line and reference line are parallel. In FIGURE M/A the laser beam is not parallel with the reference line.
3. Release the two locking screws of the adjustment plate (FIGURE M/b 1 and 2).
4. Adjust the motor unit to the left or right as needed to get the laser beam and the reference line parallel. In FIGURE M/c the laser beam is parallel with the reference line.
5. Tighten the locking screws of the adjustment plate very tightly.

CAUTION! The adjustment indicator located in the back of the adjustment plate does not give the exact measurement to adjust. The indicator shows only the direction of adjustment and the category of magnitude.

CAUTION! If the motor unit is adjusted with the laser, the gripping device must be attached to the pipe with normal tension. This ensures that the saw fastening corresponds to the normal condition of operation.

If you are not satisfied with the cutting result of your saw and you need to adjust it again then always start by adjusting the eccentric adjustment wheel.

FIGURE L

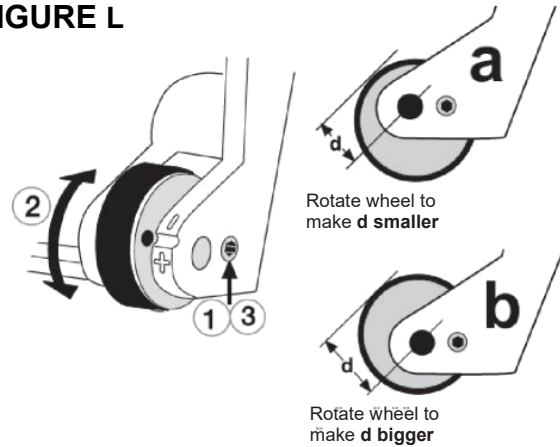


FIGURE M /a

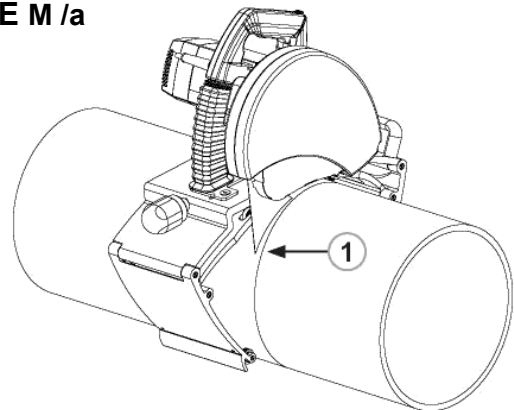


FIGURE M /b

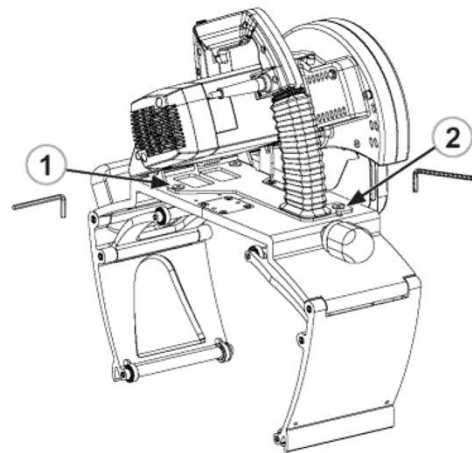
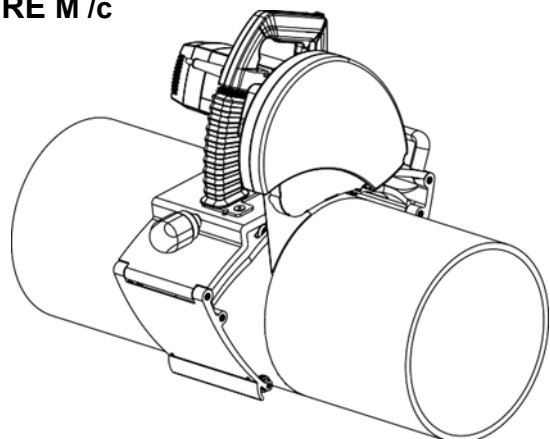


FIGURE M /c



Installing and changing the saw blade

⚠ WARNING: To reduce the risk of injury, turn the unit off and disconnect it from the power source before installing and removing accessories, before adjusting or when making repairs. An accidental start-up can cause injury.

Remove the power plug from the socket.

Remove the blade guard cover (Fig N / 1) by opening the blade guard screw (Fig N / 2). Press the spindle-lock button (Fig A / 12) and simultaneously rotate the blade by hand until the spindle-lock button drops a further distance of about 7 mm. Now the rotation of the blade is prevented. Use the blade key to open the blade attachment nut. Remove the securing nut (Fig N / 3), the outer blade flange (Fig N / 4) and the blade (Fig N / 5).

Before installing a new blade, check that both blade flanges are clean. Place a new or sharpened blade on the back flange (Fig N / 6), so that the marked side of the blade is facing outwards and the arrows on the blade are facing in the same direction as the rotation direction markings on the inside of the blade cover. Ensure that the new blade goes right to the bottom on the back blade flange. Put the outer blade flange, and the securing bolt back in place. Press the spindle lock button and tighten the blade securing nut. Put the blade guard cover back in place and tighten the blade cover bolt.

FIGURE N

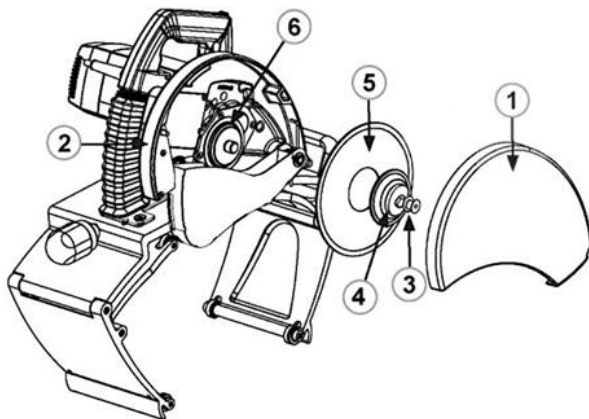
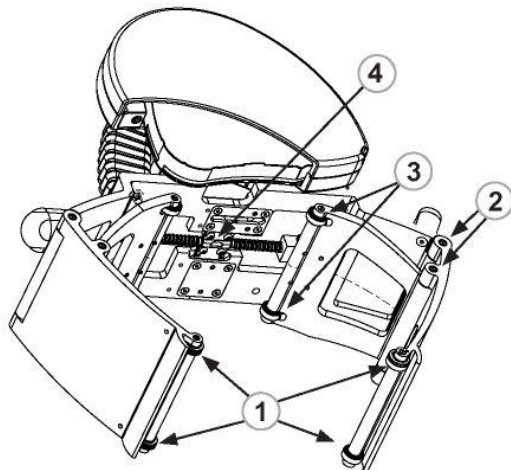


FIGURE O



Maintenance and servicing instructions

Remove the power plug from the socket before servicing or cleaning the pipe saw. All maintenance operations carried out on the pipe saw's electrical components must be carried out by an approved service center or engineer.

Blade

Check the condition of the blade. Replace a bent, blunt, or otherwise damaged blade with a new one. Using a blunt blade can overload the pipe saw's electric motor and gearbox. When you notice that the blade is blunt do not continue cutting with it, as the blade may become so badly damaged that it will not be worth sharpening. A blade in sufficiently good condition can be sharpened a few times by a professional sharpening company. Diamond X Discs cannot be sharpened

Gripper unit

Clean the gripper unit regularly with compressed air. Lubricate the gripper's wheel axles (Fig O / 1 and 3) and its joints (Fig O / 2). Clean and lubricate also the gripper's trapezoidal screw and the two adjusting nuts on it (Fig O / 4).

Blade guard

When you have cut plastic pipes and then intend to start cutting metal pipes always clean the inside of the blade guards. Hot metal particles originating from metal cutting will heat up plastic particles, which may release toxic smoke. Make it a rule to clean the blade guard regularly and pay special attention to keep the moving blade guard movement from becoming obstructed. Lubricate the axis of the moving blade guard regularly.

As an extra equipment you can buy outer blade guard with connection for vacuum cleaner. For extra equipment see page 15.

Motor

Keep motor air vents clean to allow free airflow.

Plastic parts

Clean the plastic parts with a soft rag. Use only mild detergents. Do not use solvents or other strong detergents as they may damage the plastic parts and painted surfaces

Power cable

Check the condition of the power cable regularly. A faulty power cable should always be replaced at an approved service center. Correct use and regular servicing and cleaning will ensure the reliable operation of the pipe saw.

Environment

Separate collection. This product must not be disposed with normal household waste. When your Exact PipeCut machine is worn out, do not dispose it with normal household waste. This product must be recycled separately. Separate recycling of used products and packaging support recycling and recovery of materials. Reusing recycled materials helps preventing the pollution of the environment. According to local regulations it is possible to deliver household appliances to municipal rubbish depositories or to the dealer when purchasing a new product.

Guarantee

Warranty terms valid from 01.01.2018.

If the Exact PipeCut saw becomes unusable due to material or manufacturing defects within the Warranty Term, at our discretion we will repair the Exact PipeCut Saw or supply an entirely new or factory reconditioned Exact PipeCut Saw at no charge.

The Exact Tools Warranty Term is for 12 months from date of purchase.

The Warranty is only valid if:

- 1.) Copy of a dated purchase receipt is returned to the Authorized Warranty Repair Center or has been uploaded to our website at the time of warranty registration.
- 2.) The Exact PipeCut Saw has not been misused.
- 3.) No attempt has been made by non-approved persons to repair the saw.
- 4.) The Exact PipeCut Saw has been used in accordance with the operating, safety, and servicing instructions provide in these instructions.
- 5.) The Exact PipeCut Saw has been delivered to an Authorized Warranty Repair Center within the warranty period.

NOTICE! The Exact PipeCut Saw is to be shipped to the Authorized Warranty Repair Center freight prepaid. If the Exact PipeCut Saw is repaired under Warranty, the return shipment will be made freight prepaid.

CAUTION!

The following items or services are excluded for Warranty claims:

- Saw blades
- Carbon brushes
- Blade or attachment flange
- Blade attachment nut
- Normal wear
- Failures caused by misuse or accident
- Water, fire or physical damage
- Cables
- Adjustment of eccentric adjustment wheel
- If a wrong type of generator has been used as power source.

Exact Pipe Cut operation tips

Diamond blades can only be used for cutting cast or ductile iron pipes. This pipe material is not recommended to cut using to a blade of any other type

Clean the inside of the blade guards after cutting plastic pipes.

Smaller pipes are easier to cut by turning the pipe manually either on the table or on the floor.

CAUTION! Turn the pipe towards yourself when you do it manually. Don't turn the pipe too fast.

Check the condition of the blade regularly.

The cutting process is divided into two stages: first you need to cut through the pipe wall and then cut around the pipe.

Do not overload the saw while working without interruption. The pipecut will overheat and metal parts can become very hot. In this case, the motor and blade may become damaged. Use the pipecut system in accordance with its duty cycle being continuous cutting 2.5 minutes, then let it cool under no load for 7.5 minutes.

Maintain a uniform feed rate. This increases the lifespan of the blade. For example, a steel pipe with an outer diameter of 170 mm (6") and wall thickness of 5 mm (1/5"), the cutting time-is 15-20 seconds. Accordingly cast iron pipe with an outer diameter of 4" (110 mm) and wall thickness of 1/6" (4 mm), the cutting time is 20 – 25 seconds.

When not cutting, keep the motor unit in the up position. Never please the tool on the pipe with motor unit in locked down / cutting position.

Factors influencing blade lifespan:

- Pipe material
- Blade suitability for the pipe material
- Correct motor speed setting
- Pipe wall thickness
- Feed rate
- Smoothness of the pipe
- General user knowledge
- Cleanliness of the pipe
- Corrosion on pipe
- Weld seam on the pipe
- Blade speed

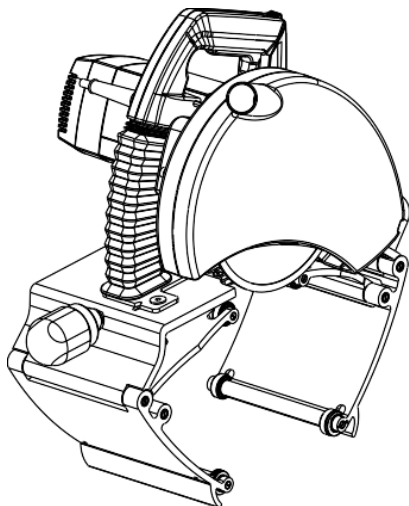
Factors influencing straightness of cutting:

- Blade condition
- Pipe wall thickness
- Feed rate
- Smoothness of feed
- General user knowledge
- Cleanliness of the pipe
- Pipe circumference
- Too loose or tight gripping device
- Too tight blade

Extra equipment 280 – 360 – 460 PS

Protection cover with vacuum cleaner connection for plastic cutting.

FIGURE P



Blade suitability

Exact TCT: Suitable for cutting steel and all kinds of plastic pipe material. Exact TCT saw blades can be sharpened.

Exact Cermet: Suitable for cutting stainless steel and acid proof materials, steel, copper, aluminum and all kind of plastic pipe materials.

Exact ALU: Suitable for cutting aluminum and all kinds of plastics. Exact CERMET ALU saw blades can be sharpened.

Exact Diamond: Suitable only for cutting cast and ductile iron pipe materials, also for concrete lined cast iron pipes. Exact DIAMOND X discs cannot be sharpened.

- Exact TCT 140
- Exact Cermet 140
- Exact ALU 140
- Exact Diamond X 140

- Exact TCT 165
- Exact Cermet 165
- Exact ALU165
- Exact Diamond X 165

- Exact Cermet 180
- Exact ALU 180
- Exact Diamond X 180

- Exact Plastic 190



Due to continuous product development, the present manual may be modified. No changes will be reported separately.

For more information check www.exacttools.com

Theoretical maximum cutting depths

280 PS Max. Pipe wall / mm with different diameter blades					360 PS Max. Pipe wall / mm with different diameter blades					460 PS Max. Pipe wall / mm with different diameter blades				
OD [mm]	Blade 140	Blade 165	Blade 180	Blade 190	OD [mm]	Blade 140	Blade 165	Blade 180	Blade 190	OD [mm]	Blade 140	Blade 165	Blade 180	Blade 190
50	5	17	25	30	50	–	–	–	–	50	–	–	–	–
75	4	17	24	29	75	21	34	41	46	75	–	–	–	–
100	6	18	26	31	100	16	28	36	41	100	25	37	45	50
110	6	19	26	31	110	15	28	35	40	110	22	34	42	47
115	7	19	27	32	115	15	27	35	40	115	21	33	41	46
140	9	22	29	34	140	14	27	35	40	140	18	31	38	43
165	12	24	32	37	165	15	28	35	40	165	17	30	37	42
215	17	29	37	42	215	18	30	38	43	215	18	30	37	42
270	22	35	42	47	270	21	34	41	46	270	19	32	39	44
320	–	–	–	–	320	24	37	44	49	320	21	34	41	46
355	–	–	–	–	355	26	39	46	51	355	23	35	43	48
410	–	–	–	–	410	–	–	–	–	410	24	37	44	49
460	–	–	–	–	460	–	–	–	–	460	25	37	45	50

Max. pipe wall thicknesses in different pipe materials, which can be cut by Exact 280 Pro Series, Exact 360 Pro Series and Exact 460 Pro Series machines

European model 230V / 2500W

Steel pipes	Max. pipe wall thickness 20 mm / 0.78"
Stainless steel pipes	Max. pipe wall thickness 20 mm / 0.78"
Cast or ductile iron pipes	Max. pipe wall thickness 20 mm / 0.78"
Any types of plastic, aluminum, copper	Pipe wall thickness according to tables above

USA model 120V / 15A

Steel pipes	Max. pipe wall thickness 12 mm / 0.5"
Stainless steel pipes	Max. pipe wall thickness 12 mm / 0.5"
Cast or ductile iron pipes	Max. pipe wall thickness 12 mm / 0.5"
Any types of plastic, aluminum, copper	Pipe wall thickness according to tables above

ATTENTION! Do not cut pipes with thicker than the above mentioned wall thickness.

ATTENTION! Check the status and condition of the blade before cutting

exact

Exact Tools Oy
Särkiniementie 5 B 64
00210 HELSINKI
FINLAND

Tel + 358 9 4366750
exact@exacttools.com
www.exacttools.com